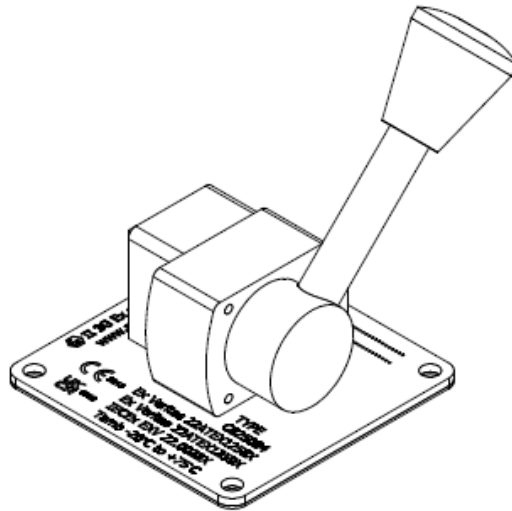


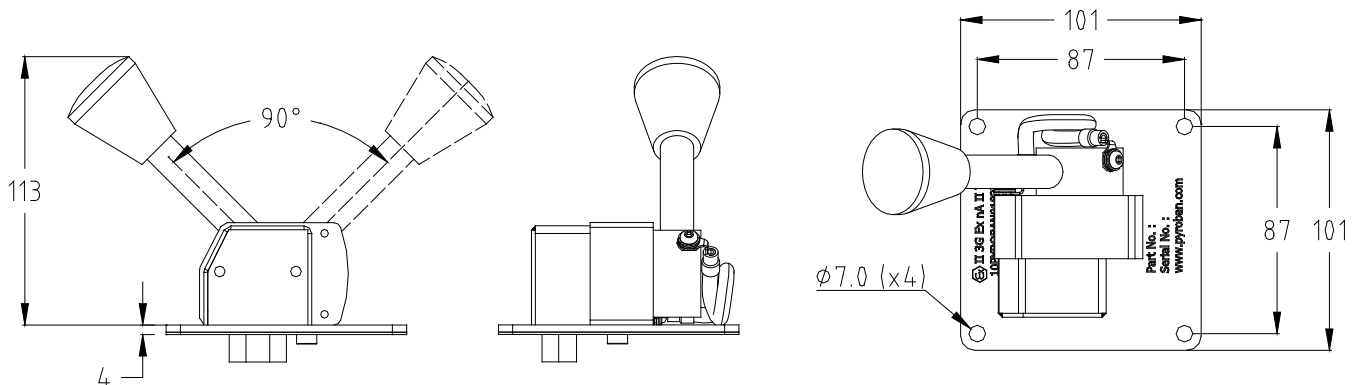
GENERAL INFORMATION

Pyroban Electronic Top Mounted Hand Throttle enables speed control of Industrial engines via the Electronic Control Module in a Zone 2 hazardous area (ATEX directive 2014/34/EU & UK Regulation UKSI 2016 No.1107). Output channel provides a 500 Hz PWM signal with a programmable duty cycle.



THIS EQUIPMENT MUST BE INSTALLED AND MAINTAINED IN ACCORDANCE WITH EN 60079-14 AND 17
FAILURE TO OBSERVE ANY INSTRUCTIONS IN THIS DATA SHEET MAY INVALIDATE ANY WARRANTY AGREEMENT

DIMENSIONS



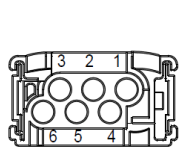
Notes: Values in millimetres.

TECHNICAL DATA

Type of protection:	"ec" Increased Safety	
Marking:	Ⓔ II 3G Ex ec II T5 Gc -20 °C ≤ T _a ≤ +75 °C	
IP rating:	IP54 (front side IP66) *	
Temperature class:	T5 (100°C)	
Certificate numbers:	ExVeritas 22ATEX1258X, ExVeritas 22UKEX1259X, IECEX EXV 22.0022X	
Weight:	0.6kg	
Dimensions:	101 mm x 101 mm x 145 mm	
Ambient Temperature:	-20 °C to +75 °C	
Input voltage:	8-36 VDC, <12 mA	
Terminal connections	Stranded cable 0.25-0.35mm ² [23-22 AWG]	
Output channel #1:	Duty cycle between 10% and 90% (±1%)	P/N: 300814574
	Duty cycle between 10% and 85% (±1%)	P/N: 300815853

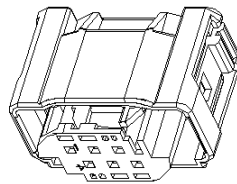
* When installed according to this document

INCLUDED: COUNTER CONNECTOR KIT (TE CONNECTIVITY PARTS)

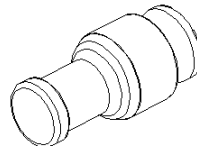


WIRE CONNECTION		
1	RD	MIN 8V ... 36V Supply
2	BU	GND
4	BR	10 - 90% 500Hz

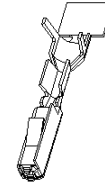
1x CONNECTOR:
TE No 1-967616-1



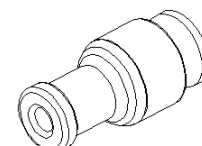
3x BLIND PLUG:
TE No 0-0967056-1



4x TERMINAL:
TE No 0-0962885-5



3x WIRE SEAL:
TE No 0-0967067-1



MOUNTING/INSTALLATION

- To be fitted to a suitably certified Ex e enclosure.
- Ensure the gasket is compressed by at least 30% in line with the manufacturer instructions, to maintain IP54
- Installation of the throttle must be carried out in accordance with EN 60079-14.
- Installation should only be carried out by qualified personnel and conform to all local codes.

MAINTENANCE

- There are no user serviceable parts.
- Do not disconnect connectors while energised.
- If the throttle assembly is removed for any reason, ensure the gasket is fitted correctly prior to re-fitting.

DECLARATION OF CONFORMITY

We, Pyroban Limited, 23 Dolphin Road, Shoreham-by Sea, Sussex, BN43 6PB, UK, declare that the component mentioned in this data sheet has been designed and manufactured in accordance with the essential health and safety requirements of both the EU Directive 2014/34/EU (ATEX) and UK Regulation UK SI 2016 No. 1107 inclusive of subsequent amendments. Compliance with these is established by meeting the technical requirements of the relevant CEN, CENELEC and designated standards.



Dave Waring

Engineering & QHSE Manager

OTHER INFORMATION

Nothing contained in this brochure is intended to extend any warranty or representation, expressed or implied, regarding the products described herein. Any such warranties or other terms and conditions of sale of products shall be in accordance with Pyroban's standard terms and conditions of sale for such products, which are available upon request. Specifications and design may be altered without notice at any time.

CONTACTS

Pyroban Limited 23 Dolphin Road Shoreham-by-Sea W. Sussex BN43 6PB United Kingdom
Telephone: +44 (0) 1273 456800
Email: info@pyroban.com

www.pyroban.com