

Image shown may not reflect actual engine configuration

### PACKAGE SPECIFICATIONS

#### I-4, 4-Stroke-Cycle Diesel

Emissions	CCNR Stage 2/ U.S.A. 40 CFR Part 94 Marine Tier 2
Peak Torque at Speed (with fan)	273 N•m (201 lb-ft) @ 1500 rpm
Bore	105 mm (4.13 in)
Stroke	127 mm (5 in)
Displacement	4.4 L (268.5 in <sup>3</sup> )
Aspiration	Naturally Aspirated
Governor and Protection	Woodward
Weight, Net Dry (approx)	970 kg (2138 lbs)
Capacity for Liquids	
Lube System (refill)	7 L (7.4 U.S. qts)
Cooling System	24.6 L (26.0 U.S. qts)
Oil Change Interval	500 hours
Rotation (from flywheel end)	Counterclockwise
Flywheel and Flywheel Housing	SAE No. 3
Flywheel Teeth	126

### FEATURES

#### Improving Workforce Efficiency

- Standard factory certifications improve worksite safety
  - ATEX Directive (2014/34/EU) Group IIA
  - Category 3G (Zone 2) Temperature Class T3.
- Certified flameproof intake system to prevent any internal explosions from propagating to external atmosphere
- ATEX-designed and tested exhaust system, compliant to EN 1834-1

#### Making Your Investment Work Harder

- Maintains high power over broad range of operating speeds, improving performance
- Steady torque rise provides superior load acceptance
- Optimized ambient and altitude capabilities for operating flexibility

#### Driving Down Total Cost of Ownership

- Improved serviceability versus the competition
- Industry-leading component overhaul life

### HAZPAK SOLUTION

---

- Matched exhaust and inlet systems
- Integrated control system
- Take the risk out of specification and procurement of individual parts
- All skin temperatures and exhaust gas < 200°C (T3)
- Certified to maintain T3 skin temperatures for up to 45°C ambient applications

#### Class-leading safety

- ATEX 2014/34/EU
- Machinery safety directive 2006/42/EC
- IECEX

### STANDARD PACKAGE EQUIPMENT

---

#### Air Inlet System

ATEX-designed and tested inlet system, compliant to EN 1834-1; stainless steel flame arrestor; integrated air shutdown valve, activates on overspeed and emergency stop; available in hydraulic, pneumatic, electric configurations; air cleaner, single element canister type with service indicator and rain cap

#### Cooling System

Closed cooling system with air blast radiator and charge air cooling, marine radiator with full solder-dipped core, radiator cooled packages sized for 45°C ambient air temp, gear-driven centrifugal jacket water pump, de-aeration expansion tank, exhaust gas heat exchanger, additional heat load from exhaust heat exchanger included in cooling circuit

#### Exhaust System

ATEX-designed and tested exhaust system, compliant to EN 1834-1; comprised of exhaust gas heat exchanger; stainless steel flame arrestor; stainless steel spark arrestor; water-cooled exhaust manifold

#### Flywheel and Flywheel Housing

#### Fuel System

Mechanical fuel injection, primary fuel filter/water separator with 1/4" BSPP connectors (LH), secondary fuel filter (LH), fuel priming pump manual, fuel shutoff valve

#### General

Package ambient capability is -20°C to 45°C; mechanical systems are designed for Gas Group IIA; electrical systems are designed for Gas Group IIC; all systems meet temperature class T3 (200°C limit); includes a declaration of conformity for the entire package scope; radiator package, engine, and exhaust system fitted to sub-frame; air filter, fuel/water separator, remote oil filter installed and mounted; earth bonding per standard EN 60079-14

#### Lube System

Oil filter (LH), locking dipstick (LH), flame trap breather

### OPTIONAL EQUIPMENT

---

#### Air Compressor

Single cylinder, 225 CC with head unloader

#### Charging System

12V, 45A alternator with 75AH battery pack

24V 16A alternator with 75AH battery pack

24V 25A alternator with 75AH battery pack

#### Control System

Local panel at side of engine, includes: coolant temperature gauge, lube oil pressure gauge, exhaust gas temperature gauge, exhaust gas backpressure gauge, engine speed gauge, stop switch

#### Exhaust System

18 dBA spark arrestor/muffler, ATEX-approved

#### Shutdown System

Pneumatic, hydraulic, and electric solutions

#### Starting System

Pneumatic, electric, and hydraulic starters available

### PERFORMANCE DATA

---

#### Naturally Aspirated — 1800 rpm

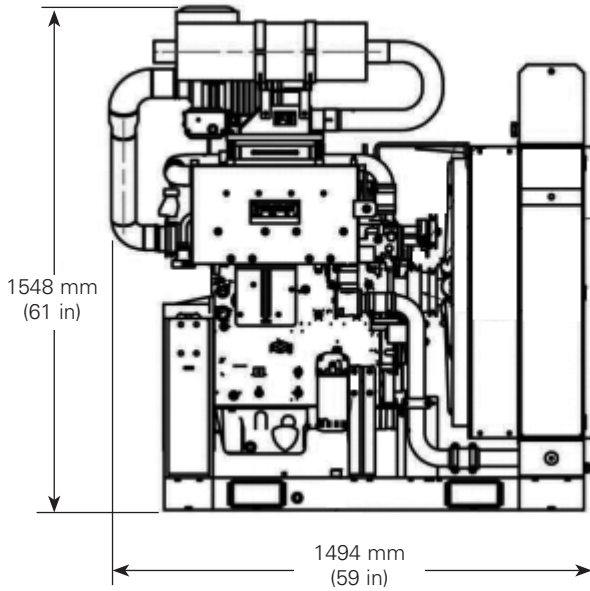
General Performance Data				
Percent Load	Engine Power		Engine Torque	
	bkW	bhp	N•m	lb-ft
100	49	65.68	259.95	191.72
90	44.2	59.24	234.49	172.95
80	39.4	52.8	209.02	154.16
70	34.6	46.38	183.56	135.38
60	29.9	40.08	158.62	116.99
50	25.3	33.91	134.22	98.99
40	20.8	27.88	110.35	81.38
30	16.3	21.85	86.47	63.77
20	11.8	15.81	62.6	46.17
10	7	9.38	37.14	27.39

#### Naturally Aspirated — 1500 rpm

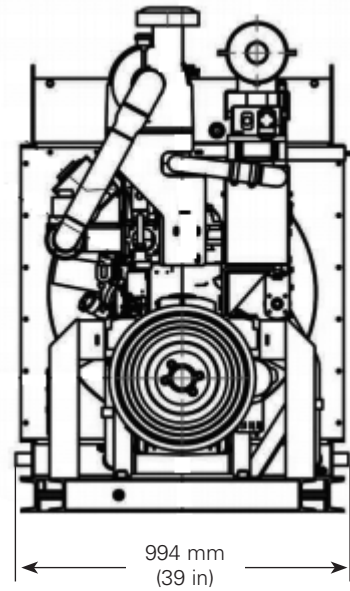
General Performance Data				
Percent Load	Engine Power		Engine Torque	
	bkW	bhp	N•m	lb-ft
100	43	57.64	273.75	201.90
90	38.7	51.87	246.37	181.71
80	34.4	46.11	219	161.52
70	30.3	40.61	192.9	142.27
60	26.1	34.98	166.16	122.55
50	22	29.49	140.06	103.30
40	18.1	24.26	115.23	84.98
30	14.2	19.03	90.40	66.67
20	10.2	13.67	64.94	47.89
10	6.2	8.31	39.47	29.11

### DIMENSIONS

RIGHT SIDE VIEW



FRONT VIEW



DIMENSIONS*		
Length	mm (in)	1494 (59)
Width	mm (in)	994 (39)
Height	mm (in)	1548 (61)
Shipping Weight	kg (lb)	970 (2138)

\*Typical dimension shown. Height will increase if silenced spark arrestor is chosen.