

DESCRIPTION

The Pyroban Protection System Caterpillar C32 Standard Kit, when fitted to the appropriate engine, is suitable for use in hazardous areas where explosive gases occur (ATEX directive 94/9/EC).

When properly installed, the kit provides protection to:

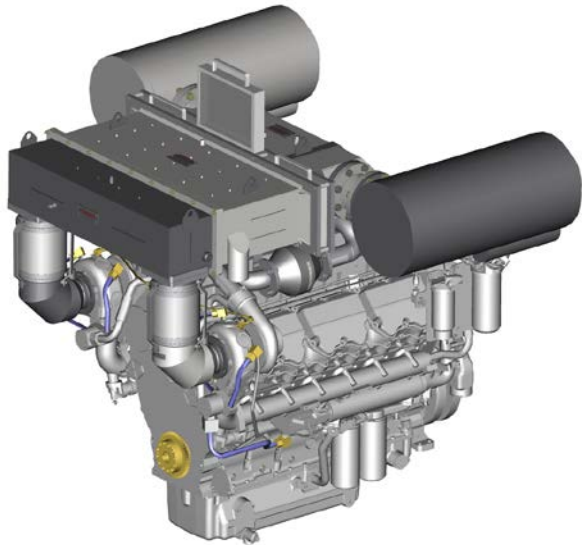
- Equipment Group: II
- Category: 3G
- Gas Group: IIA
- Temperature Class: T3

Conformance to the Temperature Class is dependent on ambient operating temperatures so the installed kit must be tested in a safe operating zone before use in a hazardous area.

For ambient operating temperatures above 45°C consult your customer services representative.

For further information refer to the Offshore Installation Manual OG003.

THIS EQUIPMENT MUST BE INSTALLED AND MAINTAINED IN ACCORDANCE WITH THE PYROBAN OFFSHORE INSTALLATION MANUAL. FAILURE TO OBSERVE ANY INSTRUCTIONS IN THIS DATA SHEET MAY INVALIDATE ANY WARRANTY AGREEMENT



TECHNICAL DATA

The Pyroban Protection System Caterpillar C32 Standard Kit comprises inlet and exhaust protection and is compatible with the following engine types:

Engine Make	Caterpillar
Engine Model	C32
Engine Performance	1110 bhp @ 2100 rpm
Engine Feature Codes*	C32DW46

(*Other engine feature codes may be applicable, please contact customer services or your engine dealer for confirmation)

Pyroban Protection System Caterpillar C32 Standard Kit technical details:

Heat Rejection to Coolant	412 kW
Coolant Volume of Pyroban Parts	67 ltrs
Exhaust System Pressure Drop	6.5 kPa
Maximum Ambient Operating Temperature	45°C
Spark Arrestor Noise Attenuation	18 dB(A)
Approximate Mass of Pyroban System (Dry)	1056 kg
Approximate Mass of Pyroban System (Wet)	1123 kg

Details of Variations:


MECCATC32:1110:21:OH:STD	Standard kit without spark arresters.
MECCATC32:1110:21:OH:STD1	Standard kit with spark arresters.

ORDERING SPARE PARTS

Use only genuine Pyroban parts. Order spares or replacement parts directly from Pyroban quoting the Pyroban Part Number. Note that fitting of incorrect parts may invalidate certification.

DECLARATION OF CONFORMITY

We, Pyroban Limited, Dolphin Road, Shoreham-by-Sea, Sussex, BN43 6QG, UK, declare that the component mentioned in this data sheet has been designed and manufactured in accordance with the essential health and safety requirements of Directive 94/9/EC (ATEX) inclusive of subsequent amendments.



David Waring CEng MIMechE

Engineering Manager

OTHER INFORMATION

Nothing contained in this brochure is intended to extend any warranty or representation, expressed or implied, regarding the products described herein. Any such warranties or other terms and conditions of sale of products shall be in accordance with Pyroban's standard terms and conditions of sale for such products, which are available upon request. Specifications and machinery may be altered without notice at any time.

CONTACTS

Pyroban Limited Dolphin Road Shoreham-by-Sea W. Sussex BN43 6QG United Kingdom	Pyroban Benelux BV Grotenoord 24-26 - 3341 LT P.O. Box 229- 3340 AE Hendrik Ido Ambacht Nederland	Pyroban Suzhou Workshop B2 No. 9 Weixin Road Suzhou Industrial Park 215122 Suzhou Jiangsu Province P.R.China
Telephone: +44 (0) 1273 456800 Fax: +44 (0) 1273 456857 & 456858 Email: info@pyroban.com	Telephone: +31 (0) 78 6845570 Fax: +31 (0) 78 6818213 Email: info@pyroban.com	Telephone: +86(0) 512.627 56800 Fax: +86 (0) 512 627 55896 Email: info@pyroban.com

www.pyroban.com